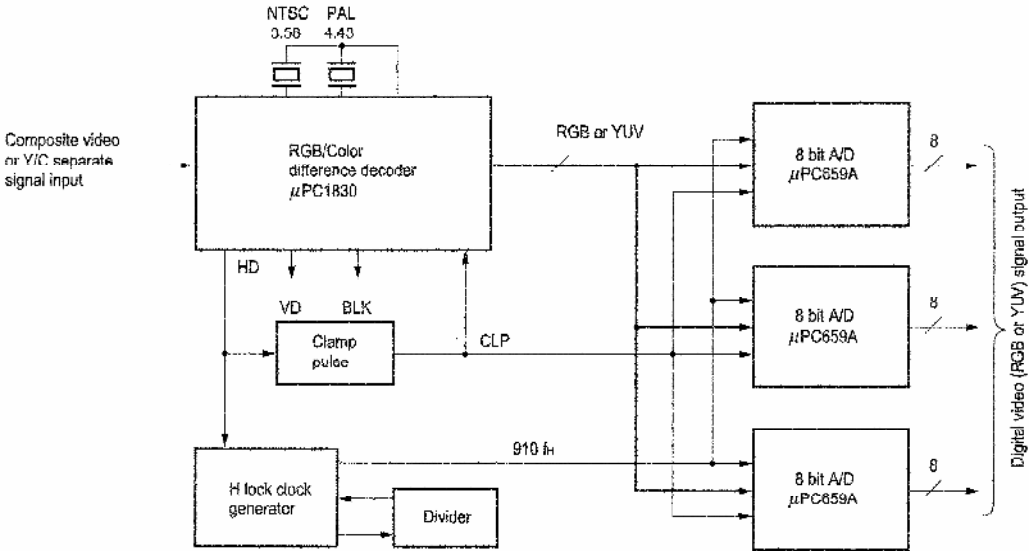


Digital Image IC

■ Video capture system block diagram



■ Analog Frontend IC

Part number	Function	Package
μPC1830	5 V operation chroma decoder NTSC/PAL, 525/625 line, 50/60 Hz selectable, Matrix circuit	• 42-pin SOP

On-Screen Character Display IC

■ Video type

Function \ Part number	μ PD6464A	μ PD6465
Number of character types	128 (ROM)	256 (ROM)
Number of display characters	288 (12 lines \times 24 digits)	
Character configuration	12 \times 18	
Character color	Single (white, the luminance level of a character can be set in 2 stages)	
Character size	1 dot/1H, 2H (per line)	
Internal video signal color	White/Black/Blue/Green	
Background	None/Fringed/Squared/Solid (per field)	
Applicable video signal mode	NTSC/PAL/PAL M/SECAM	
Supply Voltage	4.5 to 5.5 V	
Package	<ul style="list-style-type: none"> • 24-pin SDIP (300 mil) • 24-pin SOP (375 mil) 	

- μ PD6464A adapts PAL-N.

■ RGB type

Function \ Part number	μ PD6461	μ PD6462	μ PD6466
Number of character types	256 (ROM)	128 (ROM)	512 (ROM)
Number of display characters	288 (12 lines \times 24 digits)		
Character configuration	12 \times 18		
Character color	8 colors		
Character size (per line)	1 dot/1H, 2H		1 dot/1H, 2H, 3H, 4H
Character color reverse (per character)	Black character/No fringed		Black character/No fringed White character/Fringed
Background (per frame)	None Square (8 colors) Solid (6 colors)		
Fringed (per frame)	Two colors (Black, White)		
Supply voltage	2.7 to 5.5 V		
Package	<ul style="list-style-type: none"> • 20-pin SSOP (300 mil) • 24-pin SOP (375 mil) 	<ul style="list-style-type: none"> • 20-pin SSOP (300 mil) 	<ul style="list-style-type: none"> • 20-pin SSOP (300 mil) • 24-pin SOP (375 mil)

- Making ideally suited for camcoders (μ PD6461, μ PD6462)
- μ PD6461 and μ PD6462 are commands convertible and pins convertible for 20-pin SSOP package.
- μ PD6466 has a blue background and character mirror reverse function.

Video Camera IC

■ CCD driver circuit

Part number	Function	Package
μ PD16501	Area sensor vertical drive interface	• 16-pin SOP
μ PD16502	Area sensor vertical drive interface	• 20-pin SOP
μ PD16503	Area sensor VOD shutter driver	• 8-pin SOP
μ PD16506	Area sensor vertical, VOD shutter driver	• 20-pin SOP • 20-pin SSOP
μ PD16510	Area sensor vertical, VOD shutter driver, for low voltage logic	• 22-pin SSOP

■ AGC process amplifier

Part number	Function	Package
μ PC2372	3ch AGC-process amplifier circuit	• 88-pin SQFP

■ Sample and hold circuit

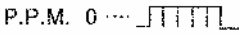
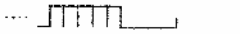
Part number	Function	Package
μ PC2394	Dedicated area sensor use sample and hold circuit	• 8-pin SOP

Remote Control IC

■ Infrared remote control preamplifiers IC

Part number	Supply voltage	Features	Package	Remarks
μ PC2800A	5 V \pm 10%	Internal high trap circuit	• 8-pin SIP • 8-pin SOP	Active low type

■ Infrared remote control IC

Part number	μ PD6121G-001	μ PD6122G-001
Operating voltage range	2.0 to 3.3 V	
Operation clock (f_{osc})	400 to 500 kHz ceramic oscillator	
Transmission format	Leader	Custom code 16-bit
	Data code 8-bit	Data code 8-bit
Modulation mode	P.P.M. 0  1  38 kHz • carrier modulation ($f_{osc} = 455$ kHz)	
Custom code	16-bit set*	
Data code	32 \times 2	64 \times 2
Number of keys	32	64
Package	• 20-pin SOP	• 24-pin SOP

*: All codes except code "00FFH" are managed by NEC.

Clock IC

Part number	Function	Features	Package
μ PD4990A	Serial I/O real-time clock	Wide operating voltage range, low power consumption	• 14-pin DIP • 16-pin SOP
μ PD4991A	1-bit parallel I/O real-time clock	Wide operating voltage range, low power consumption	• 18-pin DIP • 20-pin SOP
μ PD4992	8-bit parallel I/O real-time clock	Wide operating voltage range, low power consumption	• 20-pin DIP • 20-pin SOP